

SEVES  
GLASS  
BLOCK

# Silicone Installation Systems

**PROVantage**<sup>®</sup>  
Glass Block Installation System

For 4" Premiere™ Series

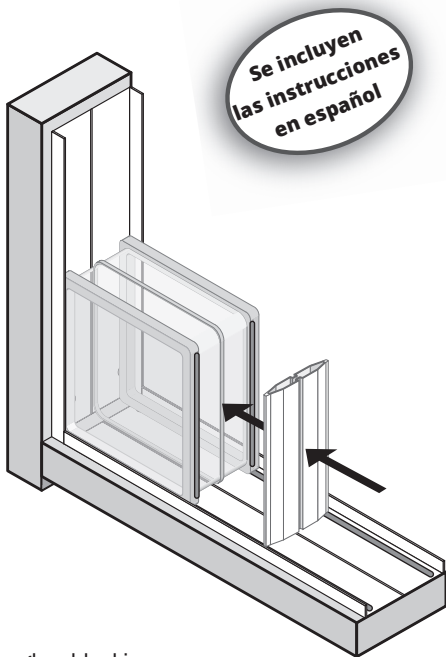
**KWiK'N-EZ**<sup>®</sup>

For 3" Thinline™ Series,  
80mm Glass Block

Or

**MYMINIGLASS**<sup>™</sup>

## Assembly Instructions



# Seves Glass Block

## Glass Block Silicone Installation System

### Assembly Instructions

The installation systems described in this booklet make achieving professional installation results of SEVES Glass Block easy. They are compatible with the ProVantage® for 4" Premiere Series, the KWIK'N-EZ® for 3" Thinline Series, 80mm block, and the **myMINIGLASS™** glass block.

### Installation Method #1 (Channel Construction)

- This method is used to install straight walls in 4-sided openings.
- In this method, glass block is installed in a perimeter channel.
- The maximum opening size for exterior panels is 50 square feet, framed on all four sides.
- The maximum opening size for interior panels is 85 square feet, framed on at least two sides.
- The joints of these panels may be finished with grout (see page 25), or silicone (see page 26)

### Installation Method #2 (Wall Anchor Construction)

- This method is used to install straight, curved, 45°, and 90° angled, attached to walls at two, three or four sides.
- In this method, glass block panels are secured to the wall using special wall anchors.
- The maximum opening size for exterior panels is 50 square feet, framed on all four sides.
- The maximum opening size for interior panels is 85 square feet, framed on at least two sides.
- The joints of these panels may be finished with grout (see page 25), or silicone (see page 26)

All glass block panels are non-load bearing, so adequate provisions must be made for support of construction around the panel.

Seves Glass Block has 4 different lines of accessories. They are ProVantage® for 4" Premiere Series, KWIK-N -EZ® for 3" Thinline Series, 80mm and MYMINIGLASS™. Please choose the appropriate product line installation accessories for the type of product line you are installing.

The materials required for all Seves Glass Block installation methods are:

- Seves Glass Block for project
- Horizontal Spacers
- Vertical Spacers
- Glass Block Silicone Sealant
- Joint Finish — Grout or Silicone
- Grout Sealer (grout finish only)
- #6 x 1" Flat Head Galvanized or Stainless Steel Screws

*Note: If using 12" glass block, cut 11-1/2" pieces from the horizontal spacers to make vertical spacers.*

**Installation Method #1** (Channel Construction) also requires:

- Perimeter Channel

**Installation Method #2** (Anchor Construction) also requires:

- ProVantage® Anchors

Tools required for installing the glass block are a utility knife, screwdriver, 2-foot level, tape measure, caulk gun, rubber mallet, electric drill, fine-tooth saw, spoon shaped finishing tool and razor blade.

For Grout Finishing you will also need a rubber float, bucket, tile/grout sponge, and cheesecloth.

# Channel Construction Installation

## Method #1 – Straight Applications Only

### 1. PREPARE THE OPENING

- A. Make sure the opening is the correct size. Use the table below to find the correct dimensions for a straight glass block wall anchored using a horizontal floor channel and two vertical channels in a framed opening.

**PROVantage**<sup>®</sup>  
Glass Block Installation System

### Installation Method #1

Perimeter Channel Construction

4" Premiere™ Series

#### Rough Opening Width and Height (Inches)

Number of Blocks	4 Inch Block Width	6 Inch Block Width	8 Inch Block Width	12 Inch Block Width
1	4 - 1/4	6 - 1/4	8 - 1/4	12 - 1/4
2	8 - 1/8	12 - 1/8	16 - 1/8	24 - 1/8
3	12	18	24	35 - 7/8
4	15 - 7/8	23 - 7/8	31 - 7/8	47 - 3/4
5	19 - 3/4	29 - 3/4	39 - 3/4	59 - 3/4
6	23 - 5/8	35 - 5/8	47 - 5/8	71 - 1/2
7	27 - 1/2	41 - 1/2	55 - 1/2	83 - 3/4
8	31 - 3/8	47 - 3/8	63 - 3/8	95 - 1/8
9	35 - 1/4	53 - 1/4	71 - 1/4	107
10	39 - 1/8	59 - 1/8	79 - 1/8	118 - 3/4
11	43	65	87	130 - 5/8
12	46 - 7/8	70 - 7/8	94 - 7/8	142 - 3/8

Note: Blocks are available in 4" x 8", 6" x 8", 8" x 8" and 12" x 12" sizes.

For panels larger than 12 block in width or height:

Add 3 - 7/8" for each 4" wide block

Add 5 - 7/8" for each 6" block

Add 7 - 7/8" for each 8" block

Add 11 - 7/8" for each 12" block

**KWIK'N-EZ<sup>®</sup>**

### Installation Method #1

Perimeter Channel Construction  
3" Thinline™ Series, 80mm metric

#### Rough Opening Width and Height (Inches)

Number of Blocks	90mm Block Width (3-1/2")	190mm Block Width (7-1/2")
1	4"	8"
2	7 - 1/16	15 - 1/2
3	11 - 1/4	23 - 1/4
4	14 - 7/8	31 - 7/8
5	18 - 1/2	38 - 1/2
6	22 - 1/8	46 - 1/8
7	25 - 3/4	54
8	29 - 3/8	61 - 5/8
9	33	69
10	36 - 5/8	77
11	40 - 1/4	84 - 5/8
12	43 - 7/8	92 - 1/4

Note: Blocks are available in 90mm and 190mm sizes (3 - 1/2" and 7 - 1/2")

For panels larger than 12 block in width or height:  
Add 3 - 5/8" for 90mm wide block  
Add 7 - 5/8" for 190mm wide block

**MYMINIGLASS™**

### Installation Method #1

Perimeter Channel Construction - 6"

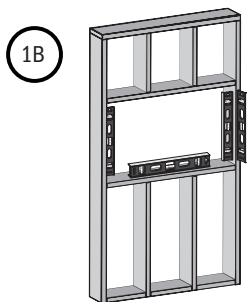
Number of Blocks	Rough Opening Width and Height (Inches)
1	6 - 1/4
2	12 - 1/8
3	18
4	23 - 7/8
5	29 - 3/4
6	35 - 5/8
7	41 - 1/2
8	47 - 3/8
9	53 - 1/4
10	59 - 1/8
11	65
12	70 - 7/8

Note: Blocks are available in 6" sizes

For panels larger than 12 block in width or height:  
Add 5 - 7/8" per 6" wide block

\*For Rough Openings Height, Add 1/4" to Width Measurement.

B. Use a level to make sure the opening is level and plumb.

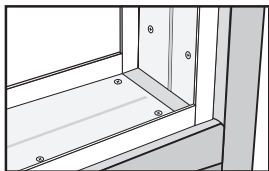


*Note: If there are any problems with the opening, adjust it before proceeding.*

## 2. INSTALL PERIMETER CHANNEL

A. Cut the channel to fit the perimeter of the opening. The channel ends may be cut straight or mitered.

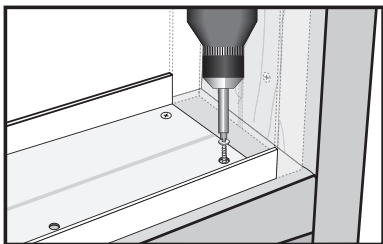
2A



B. Install the bottom channel first

1. Apply two 1/4" beads of sealant on underside of channel horizontally 1/2" from both edges. Insert two screws in each end of the channel.

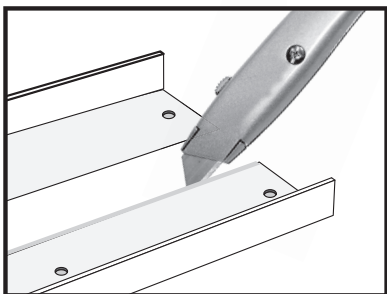
2B



*Note: If the pre-drilled holes at the ends were trimmed off when cutting the channel to length, drill new ones at the ends of the cut piece.*

- C. Install the side channels in the same manner making sure they are plumb before attaching with screws.
- D. Cut the top channel in half lengthwise with a utility knife. Score the center groove with the knife and break the channel in half.

2D

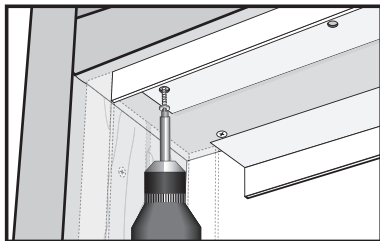


*Note: Cutting the top channel in half will allow the top row of blocks to be installed. If panel is only one or two blocks wide, side channel will also need to be cut in half.*

### 3. INSTALL THE TOP CHANNEL

- A. Placing the half channel in the top of the opening making sure it is aligned with the side channels.
- B. Attach the channel to the opening by inserting #6 x 1" flat head galvanized screws through the pre-drilled holes in the channel. Insert a screw at each end of the channel.

3B



## 4. INSTALL THE FIRST ROW OF BLOCK

A. Cut the horizontal spacers for each course to fit snugly **inside the vertical frame channels**.

B. Open the sealant as instructed on the tube. Cut the nozzle at a 45° angle at the 1/4" mark.

C. Sealant will skin over in 15-17 minutes. Do not apply sealant to more blocks than can be installed in 10 minutes.

D. In the bottom channel apply two beads of sealant the full length of the channel 1/4" in from each side.

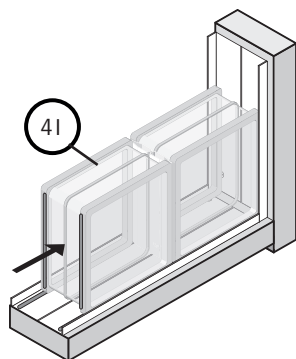
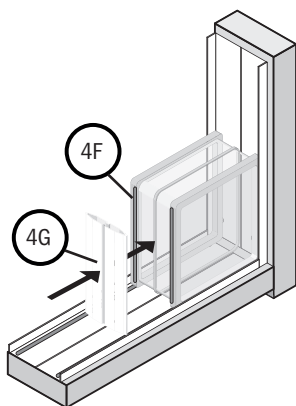
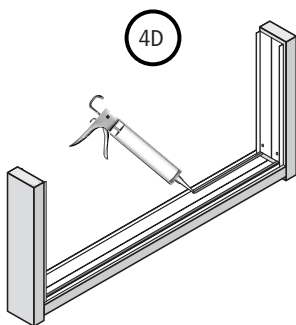
E. Place a glass block in the side channel and slide it into the bottom channel.

F. Apply two 1/4" beads of sealant behind the raised edge of glass block.

G. Press a vertical spacer into place next to the block.

H. Apply two 1/4" beads of sealant behind the raised edges of the next glass block to be inserted.

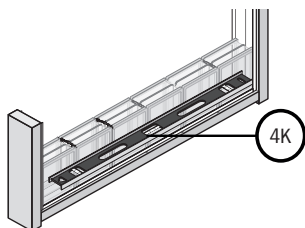
I. Insert sealant side of next block tight against the vertical spacer and apply two 1/4" beads of sealant behind the raised edge of block.



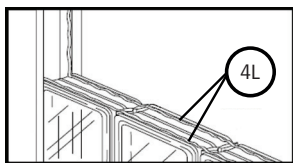


J. Continue inserting spacers and blocks in this manner to complete the row. Do not apply sealant to the side of the last block and last spacer. Insert the last block in the side channel and slide it into the bottom channel.

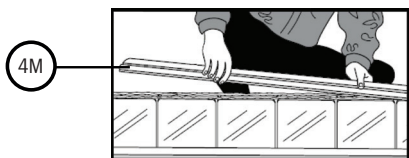
K. Check the first row for alignment of spacers and blocks. **Make sure all the blocks are sitting completely in the channel and the joints are tight.**



L. Apply two 1/4" beads of sealant to the top of the row of blocks just behind the raised edges.



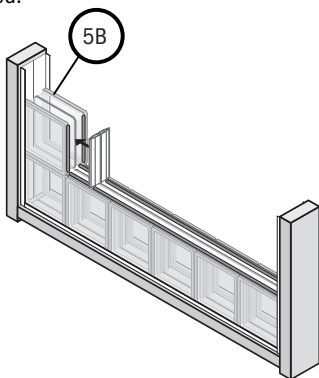
M. Place a horizontal spacer on top of the first row of blocks. If more than one section of horizontal spacer is required, be sure to lay them end to end with the joint directly above vertical spacer. Stagger these joints on each following row.



N. Remove any excess sealant. If necessary, adjust the size of the sealant beads to prevent squeeze out on the following rows. The joint areas must be kept clean of sealant.

## 5. INSTALL THE SECOND, THROUGH NEXT TO LAST, ROWS

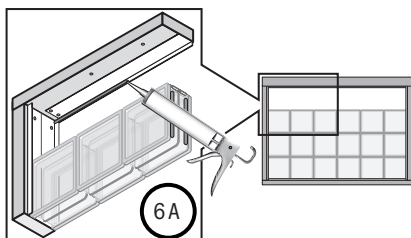
- A. Apply two 1/4" beads of sealant to the edges of the horizontal spacer, 1/4" in from edge of spacer.
- B. Install the Second Row
  1. Start the row from the opposite end. For example, if you installed the first row from left to right, install the second from right to left.
  2. Continue to install blocks and vertical spacers with sealant as illustrated.



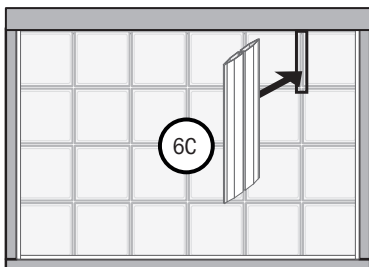
- C. Install the remaining rows in this manner until you reach the last row. Check each row for alignment vertically and horizontally.

## 6. INSTALL THE LAST ROW

- A. Apply a 1/4" bead of sealant horizontally along the top inside leg of the half channel at the top of the opening, where the faces of the blocks will contact the channel.

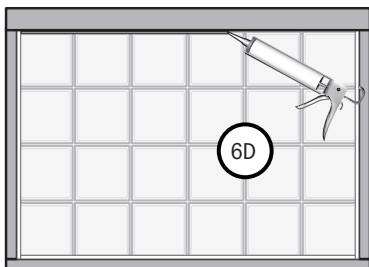


- B. Slide one block with sealant applied into the right jamb and one block into the left jamb.
- C. Install the remaining blocks in the same manner as before, except **do not apply sealant in the last vertical joint**. Insert the last spacer after installing the last block.

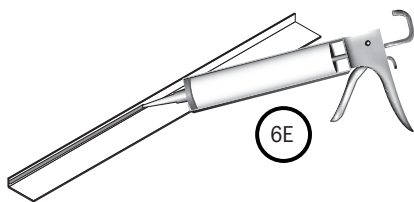


## DO NOT APPLY SEALANT IN THE LAST VERTICAL JOINT

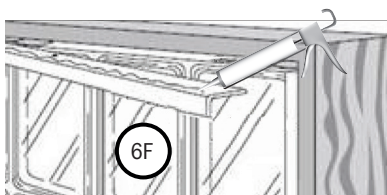
- D. Apply a 1/4" bead of sealant horizontally across the top of the opening 1/2" from the face of the glass blocks. This sealant line will be used to secure the second half of the top channel.



E. Apply a 1/4" bead of sealant along the top inside leg of the second half channel.



F. Slide the half channel into place between the blocks and the top of the opening. If necessary, temporarily apply a piece of tape to the channel to hold it in place until the sealant sets.



G. Wait 24-48 hours before finishing the joints to allow the sealant to cure.

*Note: Please go to page 25 or 26 for joint finishing instructions to complete your project.*

Section Two

# Wall Anchor Construction Installation

Method #2

Straight or Shaped Applications

# Wall Anchor Construction Installation

## Method #2 – Straight or Shaped Applications

### 1. PREPARE OPENING OR CURB

- A. Make sure the opening is the correct size. Use the table below to find the correct dimensions for a straight glass block wall anchored on two jambs using channels.

**PROVantage**<sup>®</sup>  
Glass Block Installation System

### Installation Method #2

#### Wall Anchor Construction

#### 4" Premiere™ Series

#### Rough Opening Width (Inches)

For Rough Openings Height, Add 1/4" to Width Measurement.

Number of Blocks	4 Inch Block Width	6 Inch Block Width	8 Inch Block Width	12 Inch Block Width
1	3 - 3/4	5 - 3/4	7 - 3/4	11 - 3/4
2	7 - 5/8	11 - 5/8	15 - 5/8	23 - 5/8
3	11 - 1/2	17 - 4/8	23 - 1/2	35 - 1/2
4	15 - 1/2	23 - 4/8	31 - 1/2	47 - 1/2
5	19 - 3/8	29 - 3/8	39 - 3/8	59 - 3/8
6	23 - 1/4	35 - 2/8	47 - 1/4	71 - 1/4
7	27 - 1/8	41 - 1/8	55 - 1/8	83 - 1/8
8	31	47	63	95
9	35	53	71	107
10	38 - 7/8	58 - 7/8	78 - 7/8	118 - 7/8
11	42 - 3/4	64 - 3/4	86 - 3/4	130 - 3/4
12	46 - 5/8	70 - 5/8	94 - 5/8	142 - 5/8

Note: Blocks are available in 4" x 8", 6" x 8", 8" x 8" and 12" x 12" sizes.

For panels larger than 12 block in width or height:  
 Add 3 - 7/8" for each 4" wide block  
 Add 5 - 7/8" for each 6" block  
 Add 7 - 7/8" for each 8" block  
 Add 11 - 7/8" for each 12" block

## KWIK'N-EZ<sup>®</sup>

### Installation Method #2 Anchor Wall Construction 3" Thinline™ Series, 80mm Metric

#### Rough Opening Width (Inches)\*

Number of Blocks	90mm Block Width (3-1/2")	190mm Block Width (7-1/2")
1	3 - 1/2	7 - 1/2
2	7 - 1/8	15 - 1/8
3	10 - 3/4	22 - 3/4
4	14 - 1/2	30 - 1/2
5	18 - 1/8	38 - 1/8
6	21 - 3/4	45 - 3/4
7	25 - 3/8	53 - 3/8
8	29	61
9	32 - 3/4	68 - 3/4
10	36 - 3/8	76 - 3/8
11	40	84
12	43 - 5/8	91 - 5/8

Note: Blocks are available in 90mm and 190mm sizes (3-1/2" and 7-1/2")

For panels larger than 12 block in width or height:  
Add 3 - 5/8" for 90mm wide block  
Add 7 - 5/8" for 190mm wide block

## MYMINIGLASS™ Installation Method #2 Anchor Wall Construction - 6"

#### Rough Opening Width (Inches)\*

Number of Blocks	6" Block Width
1	5 - 3/4
2	11 - 5/8
3	17 - 1/2
4	23 - 1/2
5	29 - 3/8
6	35 - 1/4
7	41 - 1/8
8	47
9	53
10	58 - 7/8
11	64 - 3/4
12	70 - 5/8

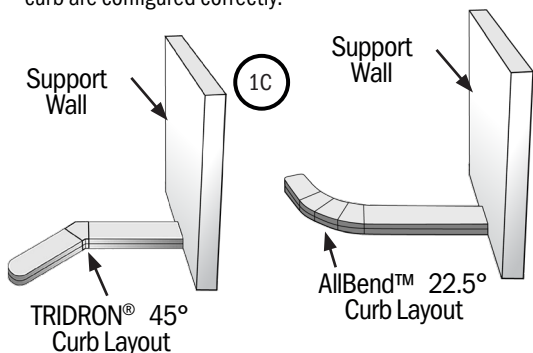
Note: Blocks are available in 6" size

For panels larger than 12 block in width or height: Add 5-7/8 per 6" wide block

\*For Rough Opening's Total Height, Add 1/4" to Width Measurement.

B. For walls with curves and/or angles it is recommended that you layout the first course of block for your wall before constructing a curb.

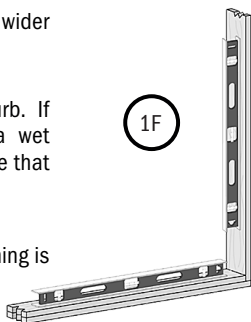
C. Make sure the curved and/or angled sections of your opening or curb are configured correctly.



D. The curb must be as wide as, or wider than, the glass block thickness.

E. Apply finish material to the curb. If installing the glass blocks in a wet environment, take steps to ensure that the curb is waterproofed.

F. Use a level to make sure the opening is level and plumb.



G. Verify all measurements. Remember, for rough opening's total height, add 1/4" to width measurement

H. If there are any problems with the opening or curb, adjust it before proceeding.

I. Available shapes and finishing pieces, with corresponding Series/Collections:

Block Shapes	Series/Collection
AllBend™ 22.5° 4" and 80mm	
90° Radius Corner	4" and 80mm
90° Sharp Corner	4" and 80mm and MYMINIGLASS™
Endblock™	4" and 80mm and MYMINIGLASS™
Double End™	4" and 80mm and MYMINIGLASS™
TRIDRON® 45°	4" only

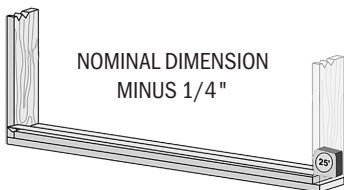


## 2. TEST FIT THE FIRST ROW

A. Cut horizontal spacers for straight sections of the wall.

1. For straight walls between two jambs or one jamb and a shaped block, cut the horizontal spacer  $1/4"$  shorter than the nominal dimension.

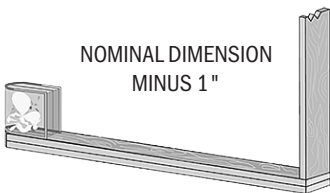
2A  
1



*Note: If it is necessary to have a joint in the horizontal spacer, to extend it to fit the width of the section, make sure the joint will align with a vertical spacer. Stagger these joints on each following row.*

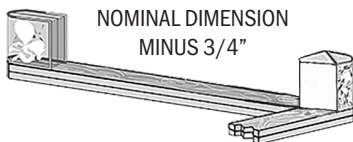
2. For straight sections between one jamb and an EndBlock™, cut the horizontal spacer  $1"$  shorter than the nominal dimension.

2A  
2



3. For straight sections between a shaped block\* and an EndBlock™, cut the horizontal spacer  $3/4"$  shorter than the nominal dimension.

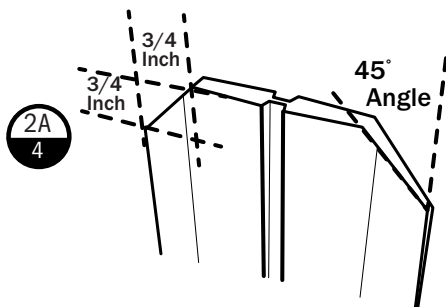
2A  
3



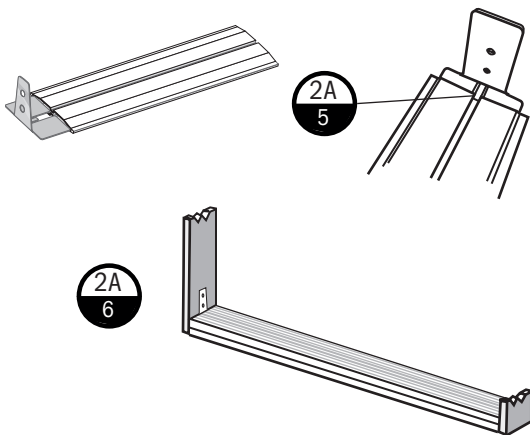
\* See Glossary at end of booklet.

(TEST FIT THE FIRST ROW CONTINUED)

4. For EndBlock™, trim the end of the horizontal spacer to fit the shape by cutting the two corners at a 45° angle 3/4" from each corner.



5. Insert anchors into the ends of the horizontal spacer where it meets a jamb. Make sure center finger of anchors fit into **the top of the center groove** of the spacer.

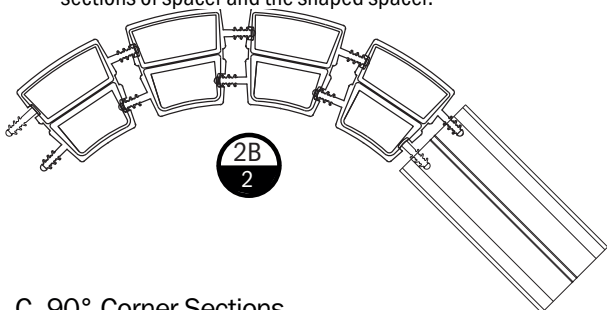


6. Place the spacer in the bottom of the opening, centered in the section. DO NOT install with screws.

## B. AllBend™ Curved Wall Sections

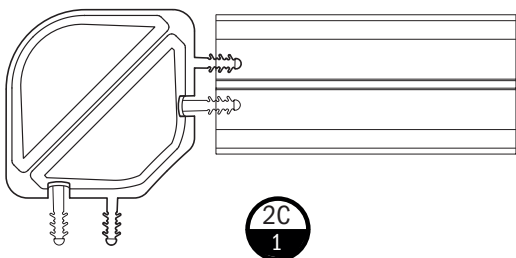
1. Find the seam at the edge of an AllBend™ (22.5°) horizontal spacer. Pry the spacer apart into two pieces. (4" and 80mm only)

- Place the half spacer, flat side down, in the bottom of the opening, centered under the AllBend™ block location. There should be a 1/2" tapered to a 1/4" gap between straight sections of spacer and the shaped spacer.

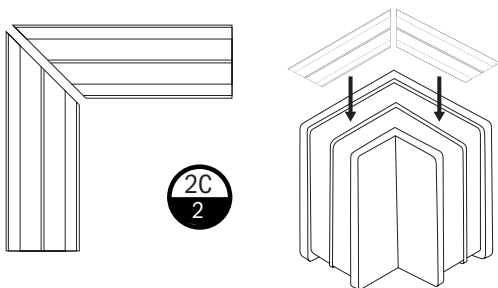


### C. 90° Corner Sections

- Find the seam at the edge of an Radius 90° corner. Pry the spacer apart into two pieces. (4" and 80mm)
  - Place the spacer in the bottom of the opening, centered under the Corner block location. There should be a 1/2" gap between straight sections of the spacer and the shaped spacer.



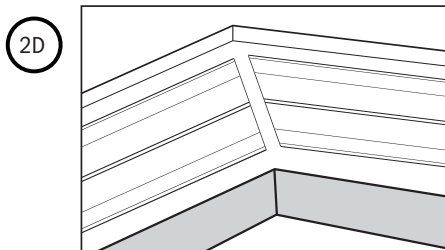
- Sharp 90° corner (4", 80mm and myMINIGLASS™ only)
  - Cut standard spacers at 45°
  - Align spacers below block to create 90° corner.



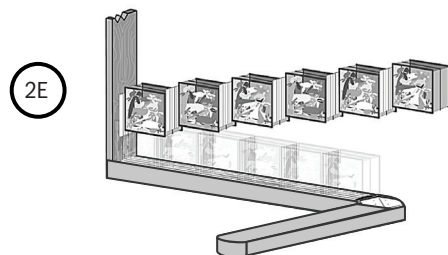
(TEST FIT THE FIRST ROW CONTINUED)

D. 45° angled Tridron® sections (4" only)

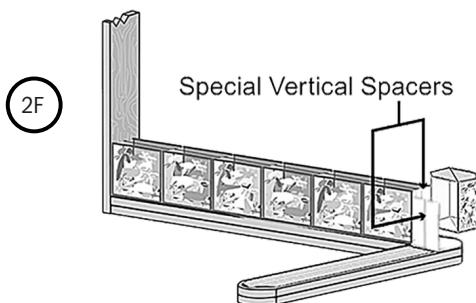
1. Cut standard spacers at 22.5°
2. Align spacers below block to create 45° corner.



E. Install the first row of blocks and vertical spacers, starting with first block in the jamb.



F. There are special vertical spacers for shaped blocks. Be sure to insert these spacers before, between and after shaped blocks.



G. The vertical spacers for AllBend™ blocks are tapered, the spacers for 90° blocks are flat. The smaller end is placed at the back of the AllBend™ block. The appropriate vertical spacers are packaged with the shaped horizontal spacers. Tridron® and sharp 90° corners and EndBlock™ are standard vertical spacers.

### Verticle Spacers for Shapes and EndBlock™

Spacer required between two AllBend™



Spacer required between AllBend™ and standard block



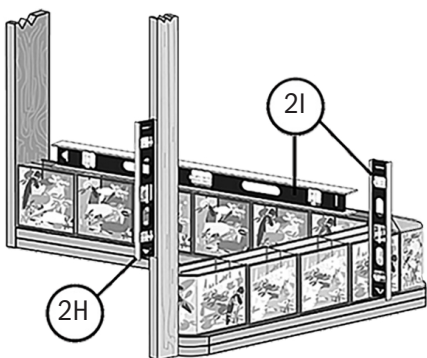
Flat Spacer required between a 90° Radius Corner and standard block; or vertically in jambs.



Standard spacer or 90° sharp corner, TRIDRON®, and all EndBlock™

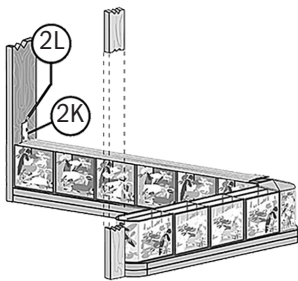


H. If your project does not have a jamb on both ends, you may need to temporarily prop a 2" x 4" stud at the open end of the wall. Make sure the stud is plumb. This stud will serve as a plumb point for you to follow as you set blocks.

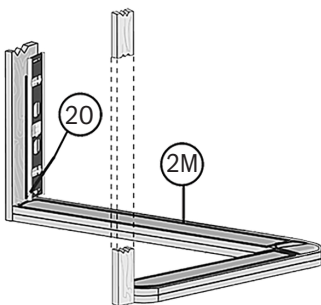


## (TEST FIT THE FIRST ROW CONTINUED)

- I. Check the first row for level lengthwise and crosswise. Make sure the blocks are straight and plumb.
- J. If necessary, insert plastic shims under the channel to level the row. Use a flat blade screwdriver to lift the channel as you insert shims.
- K. Place a horizontal spacer with anchor inserted into the ends, on top of the first row.



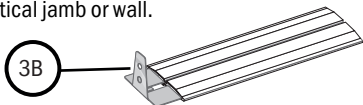
- L. Mark the location of the center of the anchor on the jamb. If your wall has two jambs, mark the centers of the anchors on both jambs. These marks will be used to draw a plumb line on the jambs.
- M. Removed the top horizontal spacer, block and vertical spacers, being careful not to disturb the bottom horizontal spacer or shims.
- N. Trace the outline of the horizontal spacers and mark the shim locations.
- O. Starting with the center mark of the first anchor, Use a level to draw a plumb line on the jambs the height of the panel. This will be the center line for all of the anchors.



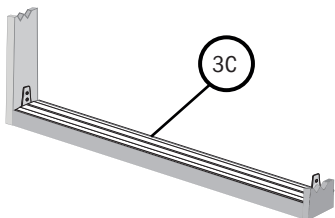
### 3. INSTALLING THE FIRST ROW

A. Cut the horizontal spacers for each course to fit the opening.

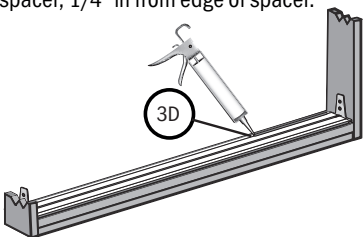
B. Insert an anchor into the ends of the horizontal spacer where it will meet a vertical jamb or wall.



C. Apply two 1/4" beads of sealant to the edges of the horizontal spacers 1/4" in from the edge of the spacer. Place spacer sealant side down.

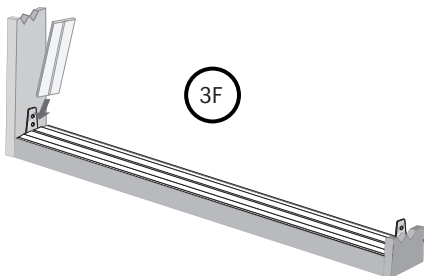


D. Then apply two 1/4" beads of sealant to the top of this same horizontal spacer, 1/4" in from edge of spacer.



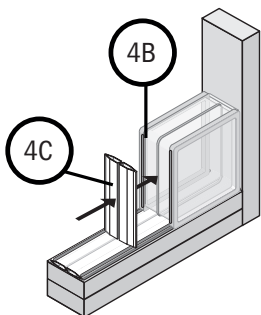
E. Attach anchor to jamb with galvanized or stainless steel screws.

F. Apply two 1/4" beads of sealant to a Half-Trac™ (B to C spacer), 1/4" in from edge of spacer. Place it in the vertical jamb, covering the anchor. Apply sealant 1/4" in from edge of spacer.

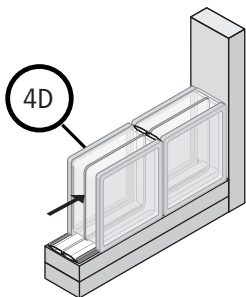


## 4. INSTALL THE GLASS BLOCK

- A. Place a glass block in the opening against the jamb.
- B. Apply two 1/4" beads of sealant behind the raised edge of the glass block.
- C. Press a vertical spacer into place next to the block.



- C. Apply two 1/4" beads of sealant behind the raised edge of the next glass block to be inserted.

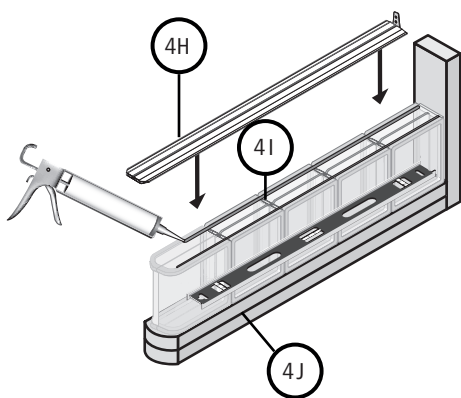


- D. Insert sealant side of next block tight against the vertical spacer and apply two 1/4" beads of sealant behind the raised edge of block.
- E. Continue inserting spacers and blocks in this manner to complete the row.
- F. Check the first row for alignment of spacers and blocks. Make sure all the blocks are level and the joints are tight.



G. Apply two 1/4" beads of sealant to the top of the row of blocks just behind the raised edges.

H. Place a horizontal spacer with anchors installed on top of the first row of blocks. If more than one section of horizontal spacer is required, be sure to lay them end to end with the joint directly above a vertical spacer. Stagger these joints on each following row.



I. Remove any excess sealant. If necessary, adjust the size of the sealant beads to prevent squeeze out on the following rows. The joint areas must be kept clean of sealant.

J. Install the remaining rows of glass blocks, spacers, and anchors. Check each row for alignment.

*Note: Walls attached at only two or three sides may be "flexible" until they are grouted.*

# Grout Finishing

## IMPORTANT:

Sanded acrylic polymer modified cement based grout, or urethane based sanded grout suitable for use on ceramic, porcelain, or glass tiles **MUST** be used.



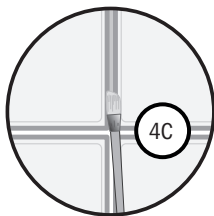
## CAUTION:

Avoid contact with skin. Safety glasses and impervious gloves are recommended to minimize skin and eye contact. Also provide sufficient mechanical ventilation.

## **Do not finish the joints until sealant has cured for 24-48 hours**

- A. Remove any sealant squeezed out from the joints with a utility knife.
- B. Follow directions on the Surface Grout container for grout application.

C. For applications in humid environments, wait 72 hours and apply sealer to the grout lines with a paint brush. Immediately wipe sealer off glass surfaces to prevent it from adhering to the glass.



- D. Apply a second coat of sealer once the first coat is dry.
- E. After the grout has cured for 72 hours, caulk all perimeter joints with a bead of sealant.

# Sealant Finishing of Exterior Face Joints

## IMPORTANT:



Use Seves Glass Block silicone sealant.  
Not recommended for shower applications.

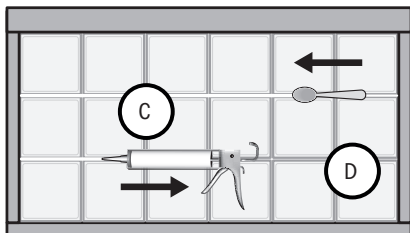
## CAUTION:

Avoid contact with skin. Safety glasses and impervious gloves are recommended to minimize skin and eye contact. Also provide sufficient mechanical ventilation.

## **Do not finish the joints until sealant has cured for 24-48 hours**

*Note: If you are installing blocks in a moist environment or if your wall is not framed on all four sides, grout finish is recommended.*

- A. Remove any sealant squeezed out from the joints with a utility knife.
- B. Open the sealant as instructed on the tube. Coverage rate is one tube per 16 blocks. Do not seal more joints than you can tool in 15 minutes.
- C. Seal the horizontal joints first by placing the nozzle of the tube in the joint at the perimeter on a 45° angle. Pull the tube along the joint while laying a bead of sealant. Slightly overfill the joints.



- D. Push a spoon shaped finishing tool over the joints at a 45° angle to collect the excess sealant and seal the joint. Periodically wipe the sealant from the finishing tool.
- E. Seal the vertical joints in the same manner. Carefully work the joint intersections to create a smooth finish.
- F. Let the sealant cure for 48 hours before putting any stress on the panel.
- G. Seal the perimeter joints with sealant.

## Maintenance

An important part of the functional beauty of Seves Glass Block products is that they are virtually maintenance free! There's nothing to rot, rust, peel or paint. All that is needed is an occasional wiping with a damp, soft cloth on interior panels or a hosing on exterior panels. With minimal attention, your Seves Glass Block will remain sparkling and beautiful for years!

## If you need assistance

We hope these instructions are clear and answer your questions about the installation of Seves Glass Blocks and Finishing Units with the ProVantage® Glass Block Installation System. For more information on Seves Glass Block visit our website at: [sevesglassblockinc.com](http://sevesglassblockinc.com).

The information contained herein is accurate and reliable to the best of our knowledge. But, because Seves Glass Block has no control over installation, workmanship, accessory materials, or conditions of application NO REPRESENTATION OR WARRANTY, EXPRESSED OR IMPLIED, EITHER AS TO MERCHANTABILITY OR FITNESS FOR A PARTICULAR PURPOSE, IS MADE as to the performance or results of an installation containing the products which extends beyond the description on the face hereof and ANY AND ALL LIABILITY FOR NEGLIGENCE, STRICT LIABILITY OR ANY OTHER THEORY OF TORT LIABILITY IS EXPRESSLY DISCLAIMED.

If the products otherwise fail to conform to the representations made herein, through no fault of the buyer, buyer's exclusive remedy at Seves Glass Block's option, is the repair or replacement, of the nonconforming products or return of the purchase price paid by purchaser. If replacement is elected, Seves Glass Block will not be responsible for installation or labor costs. In no event shall Seves Glass Block be responsible or liable for an incidental, special, consequential or punitive damages which might result from product failure, regardless of the theory of liability upon which any such damages are claimed.

Seves Glass Block provides written warranties for many of its products, and such warranties take precedence over the statements contained herein. You may obtain a copy of the warranty for this product by contacting Seves Glass Block.

## Glossary

**ProVantage®:** A glass block installation system for Seves Glass Block of 4 inch thickness that utilizes Perimeter Channel Construction or Wall Anchors in combination with vinyl spacers, steel anchor hardware, and Silicone.

**KWiK'N-EZ:** A glass block installation system for Seves Glass Block of 3 inch and 80mm thickness that utilizes Perimeter Channel Construction or Wall Anchors in combination with vinyl spacers, steel anchor hardware, and Silicone.

**MyMINIGLASS:** A glass block installation system for Seves Glass Block of 5 3/4" x 5 3/4" x 3" thickness that utilizes Perimeter Channel Construction or Wall Anchors in combination with vinyl spacers, steel anchor hardware, and Silicone.

**Framed:** Structure made for admitting, enclosing, or supporting something. Framing, in construction, is the fitting together of pieces to give a structure support and shape. Framing materials are usually wood, engineered wood, or structural steel.

**Attached:** joined, fastened, or connected to something. (A frame.)

**Anchor:** something that serves to hold an object firmly (in position/place).

## Shaped Block:



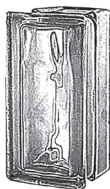
Tridron™



Radius Corner



Sharp 90° Corner



AllBend™ 22.5°



Double End™



EndBlock™





SEVES  
GLASS  
BLOCK

# Sistemas de Instalación de Silicona

**PROVantage**<sup>®</sup>  
Sistema de Instalación de Bloques de Vidrio

Para 4" Premiere<sup>™</sup> Serie

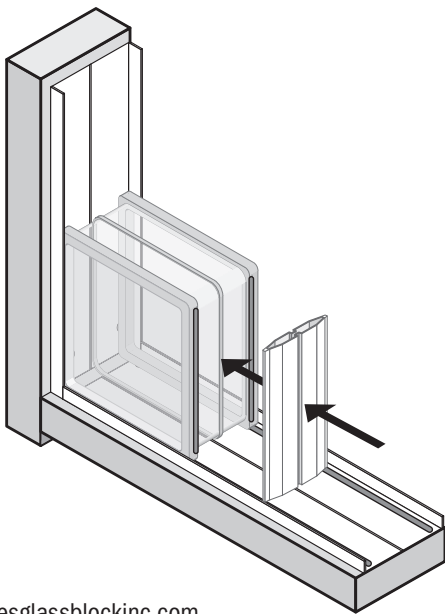
**KWiK'N-EZ**<sup>®</sup>

Para 3" Thinline<sup>™</sup> Serie, 80mm,

0

MY**MINIGLASS**<sup>™</sup>

## Instrucciones de Montaje



## Introducción:

Los sistemas de instalación descritos en este folleto facilitan el logro de resultados profesionales de instalación del bloque de vidrio SEVES. Son compatibles con ProVantage® para bloques de 4" Premiere™ Serie, KWIK'N-EZ® para bloques de 3" Thinline™ Serie, 80mm y el Bloque de Vidrio MYMINIGLASS™

## Método de Instalación I

(construcción con canal):

- Este método se utiliza para instalar paredes rectas en aberturas de 4 lados.
- En este método, el bloque de vidrio se instala en un canal perimetral.
- El tamaño máximo de apertura para paneles exteriores es de 50 pies cuadrados, enmarcados en los cuatro lados.
- El tamaño máximo de apertura para paneles interiores es de 85 pies cuadrados, enmarcados en al menos dos lados.
- Las juntas de estos paneles se pueden terminar con lechada (ver página 25) o silicona (ver página 26)

## Método de Instalación II

(construcción con anclaje):

- Este método se utiliza para instalar en paredes adosadas rectas, curvas, en ángulo de 45° y 90° en dos, tres o cuatro lados.
- En este método, los paneles de bloques de vidrio se fijan a la pared con anclajes de pared especiales.
- El tamaño máximo de apertura para paneles exteriores es de 50 pies cuadrados, enmarcados en los cuatro lados.
- El tamaño máximo de apertura para paneles interiores es de 85 pies cuadrados, enmarcados en al menos dos lados.
- Las juntas de estos paneles se pueden terminar con lechada (ver página 25) o silicona (ver página 26)

Los paneles de vidrio no son aptos para soportar cargas, por lo tanto se deben tomar las precauciones adecuadas para soportar la construcción alrededor del panel.

Seves Glass Block tiene 4 líneas diferentes de accesorios. Son ProVantage® para " Premiere™ Serie, KWIK-N-EZ® para 3" Thinline™ Serie, 80mm y MYMINIGLASS™. Elija los accesorios de instalación de la línea de productos adecuados para el tipo de línea de productos que está instalando.

Los materiales necesarios para instalar un sistema de bloques de vidrio ProVantage® son:

- Bloque de vidrio Seves para proyecto
- Espaciadores horizontales
- Espaciadores verticales
- Sellador de silicona para bloques de vidrio
- Acabado de juntas: lechada o silicona
- Sellador de lechada (solo acabado de lechada)
- Tornillos de cabeza plana galvanizados o de acero inoxidable #6 x 1 "

*Nota: Si utiliza bloques de vidrio de 12 pulgadas, corte piezas de 11 1/2 pulgadas de los espaciadores horizontales para realizar los espaciadores verticales.*

**Método de instalación I** también requiere:

- Canal perimetral

**Método de instalación II** también requiere:

- Anclajes de Paredes ProVantage®

Las herramientas necesarias para el sistema de instalación de bloques de vidrio son: una cuchilla de uso general, un destornillador, un nivel de 60cm., cinta métrica, pistola de calafateo, mazo de caucho, taladro eléctrico, sierra de dientes finos, herramienta de acabado en forma de cuchara y hoja de navaja.

Para el acabado con lechada también necesitará: una llana de caucho, una cubeta, una esponja para azulejos o lechada, una estopilla de algodón y una brocha pequeña para pintar.

# Instalación de Construcción de Canales

## Método #1 – Solo Aplicaciones Rectas

### 1. Preparación de La Abertura

A. Verifique que la abertura tenga el tamaño correcto. Utilice la siguiente tabla para encontrar las dimensiones correctas para una pared recta con dos quicios usando canales.

**PROVantage**<sup>®</sup>  
Sistema de instalación de bloques de vidrio

### Metodo de Instalacion #1 Construcción de Canales Perimetrales 4" Premiere™ Serie

#### Apertura Aproximada Ancho y Alto (Pulgadas)

Número de Bloques	4" Ancho	6" Ancho	8" Ancho	12" Ancho
1	4 - 1/4	6 - 1/4	8 - 1/4	12 - 1/4
2	8 - 1/8	12 - 1/8	16 - 1/8	24 - 1/8
3	12	18	24	35-7/8
4	15-7/8	23 - 7/8	31-7/8	47-3/4
5	19 - 3/4	29 - 3/4	39 - 3/4	59 - 3/4
6	23 - 5/8	35 - 5/8	47-5/8	71 - 1/2
7	27 - 1/2	41 - 1/2	55 - 1/2	83 - 3/4
8	31 - 3/8	47 - 3/8	63 - 3/8	95 - 1/8
9	35 - 1/4	53 - 1/4	71 - 1/4	107
10	39 - 1/8	59 - 1/8	79 - 1/8	118 - 3/4
11	43	65	87	130-5/8
12	46-7/8	70 - 7/8	94-7/8	142 - 3/8

Nota: Bloques están disponibles en 4" x 8", 6" x 8", 8" x 8" y 12" x 12" Tamaños.

Para Paneles de más de 12 bloques de Ancho o Alto:

Agregar 3 - 7/8" Por cada Bloque de 4"

Agregar 5 - 7/8" Por cada Bloque de 6"

Agregar 7 - 7/8" Por cada Bloque de 8"

Agregar 11 - 7/8" Por cada Bloque de 12"

# KWIK'N-EZ<sup>®</sup>

## Metodo de Instalacion #2 Construcción de muros de Anclaje 3" Thinline™ Serie, 80mm Métrico

### Apertura Aproximada Ancho (Pulgadas)\*

Número de Bloques	90mm Ancho (3-1/2")	190mm Ancho (7-1/2")
1	4"	8"
2	7 - 1/16	15 - 1/2
3	11 - 1/4	23 - 1/4
4	14 - 7/8	31 - 7/8
5	18 - 1/2	38 - 1/2
6	22 - 1/8	46 - 1/8
7	25 - 3/4	54
8	29 - 3/8	61 - 5/8
9	33	69
10	36 - 5/8	77
11	40 - 1/4	84 - 5/8
12	43 - 7/8	92 - 1/4

Nota: Bloques están Disponibles en 90mm y 190mm Tamaños. (3 - 1/2" y 7- 1/2")

Para Paneles de más de 12 bloques de Ancho o Alto:  
Agregar 3-5/8 Por cada Bloque de 90mm  
Agregar 7-5/8" Por cada Bloque de 190mm

# MYMINIGLASS™

## Metodo de Instalacion #1 Perimeter Channel Construction - 6"

Número de Bloques	Apertura Aproximada Ancho y Alto (Pulgadas)
-------------------	---

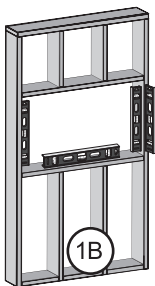
1	6 - 1/4
2	12 - 1/8
3	18
4	23 - 7/8
5	29 - 3/4
6	35 - 5/8
7	41 - 1/2
8	47 - 3/8
9	53 - 1/4
10	59 - 1/8
11	65
12	70 - 7/8

Nota: Bloques están Disponibles en 6" Tamaños.

Para Paneles de más de 12 bloques de Ancho o Alto:  
Agregar 5 - 7/8" Por cada Bloque de 6"

\*Para la altura aproximada de las aberturas, agregue 1/4" a la medida del ancho.

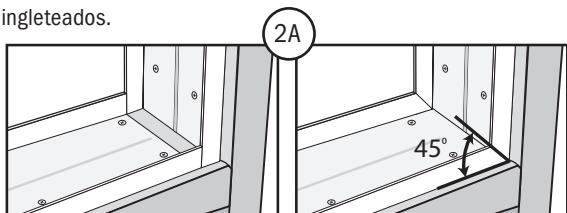
- B. Use un nivel para asegurarse de que la abertura esté nivelada y a plomo.



Nota: Si existe algún problema en la abertura, haga los ajustes necesarios antes de proceder.

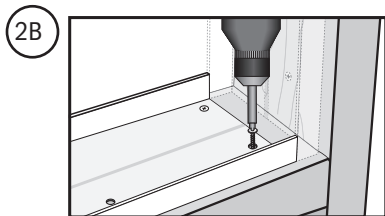
## 2. Instale el canal perimetral:

- A. Corte el canal para que ajuste perfectamente en el perímetro de la abertura. Los extremos del canal pueden cortarse rectos o ingleteados.



## B. Instale el canal inferior:

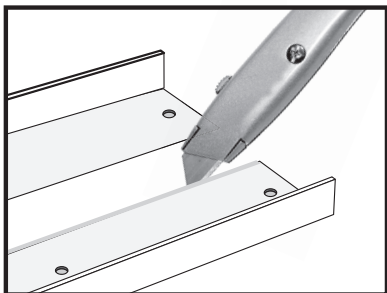
- Aplique dos cordones de sellador de 1/4 pulgada en la parte inferior del canal, de forma horizontal, a 1/2 pulgada en ambos lados. Coloque dos tornillos en cada extremo del canal.



Nota: Si los orificios perforados con anterioridad en los extremos fueron recortados cuando se cortó el canal a todo lo largo, perforo nuevos orificios en los extremos de la pieza cortada.

- C. Instale los canales laterales de la misma manera, asegurándose de que estén a plomo antes de colocar los tornillos.
- D. Corte el canal superior a la mitad a todo lo largo con un cuchillo de uso general Marque la hendidura central con el cuchillo y separe las dos mitades del canal.

2D

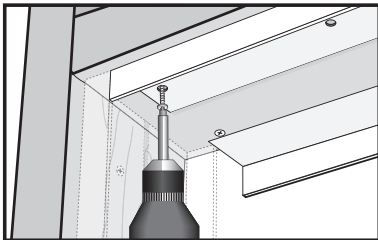


Nota: Cortar el canal superior a la mitad permitirá la instalación de la hilera superior de bloques. Si un panel solo tiene el ancho de uno o dos bloques, el canal lateral también se deberá cortar a la mitad.

### 3. Instale el canal superior:

- A. Coloque la mitad del canal en la parte superior de la abertura asegurándose de que esté alineado con los canales laterales.
- B. Instale el canal en la abertura colocando tornillos de cabeza plana galvanizados No. 6 x 1 pulgada a través de los orificios perforados en el canal con anterioridad. Coloque un tornillo en cada extremo del canal.

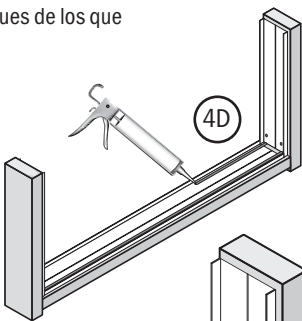
3A



#### 4. Instale la primera hilera

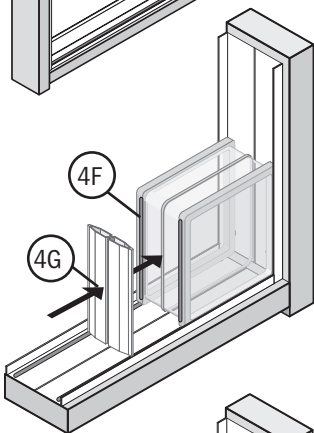
- A. Corte los espaciadores horizontales para cada tramo de modo que se acomoden dentro de los canales perimétricos verticales.
- B. Abra el sellador como se indica en el tubo. Corte la boquilla a un ángulo de 45° en la marca de 1/4 pulgada.
- C. El sellador se secará de 15 a 17 minutos. No aplique sellador a más bloques de los que pueda instalar en 10 minutos.

- D. En el canal inferior aplique dos cordones de sellador por todo lo largo del canal a 1/4 pulgada de cada lado.



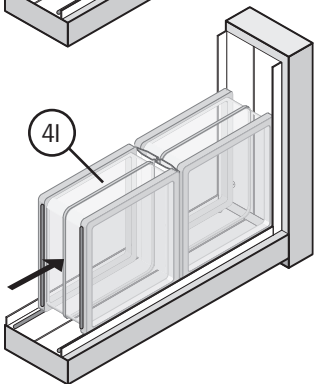
- E. Coloque un bloque de vidrio en el canal lateral y deslícelo dentro del canal inferior.

- F. Aplique dos cordones de 1/4 pulgada de sellador detrás del reborde elevado de la cara de los bloques de vidrio.



- G. Presione un espaciador vertical en su lugar a un lado del bloque.

- H. Aplique dos cordones de 1/4 pulgada de sellador detrás del reborde elevado de la cara del siguiente bloque de vidrio que se va a insertar.

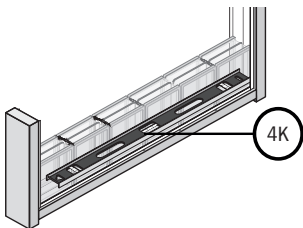


- I. Inserte el lado con el sellador del siguiente bloque de manera que quede ajustado con el espaciador vertical y aplique dos gotas de 1/4 pulgada de sellador atrás del borde elevado del bloque.

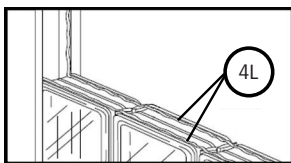


J. Continúe insertando espaciadores y bloques de esta manera hasta completar la hilera. No aplique sellador al lado del último bloque y del último espaciador. Inserte el último bloque de vidrio en el canal lateral y deslícelo dentro del canal inferior.

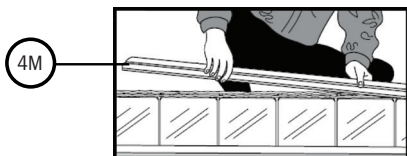
K. Verifique la alineación de la primera hilera de espaciadores y bloques. Compruebe que todos los bloques estén completamente asentados en el canal y que las juntas estén herméticas.



L. Aplique dos cordones de 1/4 pulgada de sellador a la parte superior de la hilera de bloques detrás de los rebordes elevados.



M. Coloque un espaciador horizontal sobre la parte superior de la primera fila de bloques. Si se requiere más de una sección de espaciador horizontal, asegúrese de que queden planas de extremo a extremo con la junta directamente arriba de un espaciador vertical. Alterne estas juntas en cada hilera siguiente.



N. Limpie el exceso de sellador. Si es necesario, ajuste el tamaño de los cordones de sellador para evitar la salida del sellador en las siguientes hileras. Las áreas de las juntas deben estar limpio y libres de sellador.

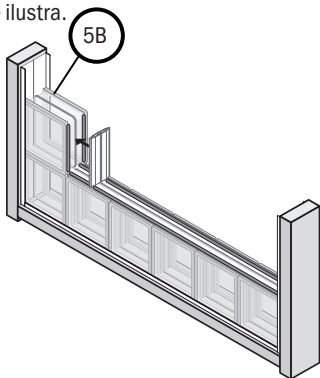
## 5. Instale desde la hilera segunda hasta la cuarta

A. Aplique dos cordones de 1/4 pulgada de sellador a los bordes del espaciador horizontal, a 1/4 pulgada desde el borde del espaciador.

B. Instale la segunda hilera:

1. Empiece la hilera desde el extremo opuesto. Por ejemplo, si instaló la primera hilera de izquierda a derecha, instale la segunda hilera de derecha a izquierda.

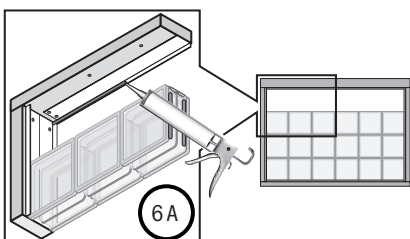
2. Continúe instalando bloques y espaciadores verticales con sellador como se ilustra.



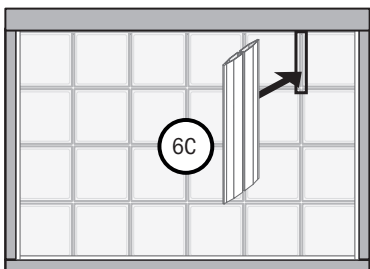
C. Instale las hileras restantes de esta forma hasta que llegue a la última hilera. Verifique la alineación vertical y horizontal de cada hilera.

## 6. Instale la última hilera

A. Aplique un cordón de 1/4 pulgada de sellador de manera horizontal a lo largo de la pata superior interna del canal en la parte superior de la abertura, donde las caras de los bloques harán contacto con el canal.

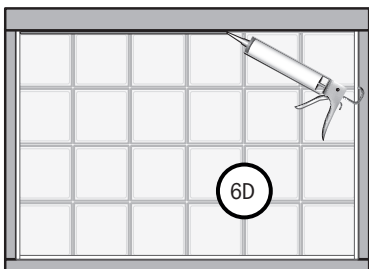


- B. Deslice un bloque, con sellador aplicado, dentro del montante derecho y uno en el montante izquierdo.
- C. Instale los bloques restantes de la misma manera que antes, excepto que no aplique sellador en la última junta vertical. Inserte el último espaciador después de instalar el último bloque.

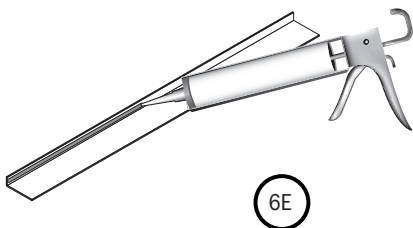


NO APLIQUE SELLADOR EN LA  
ÚLTIMA JUNTA VERTICAL

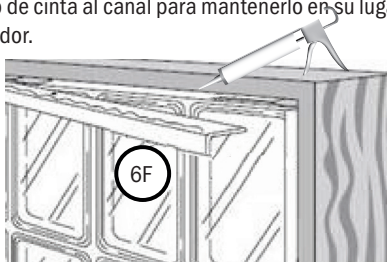
- D. Aplique un cordón de 1/4 pulgada de sellador de manera horizontal a través de la parte superior de la abertura a 1/2 pulgada de la cara de los bloques de vidrio. Esta línea de sellador se usará para fijar la segunda mitad del canal superior.



- E. Aplique un cordón de 1/4 pulgada de sellador a lo largo de la pata superior interna de la segunda mitad del canal.



- F. Deslice la mitad del canal en su lugar entre los bloques y la parte superior de la abertura. Si es necesario, aplique temporalmente un pedazo de cinta al canal para mantenerlo en su lugar hasta que fije el sellador.



- G. Espere 24-48 horas antes de poner el acabado a las juntas para dejar fraguar el sellador.

**Nota:** Vaya a la página 25 o 26 para ver las instrucciones para el acabado de las juntas y completar su proyecto.

Sección Dos

# Ancla de Pared Construcción Instalación

## Método#2

Aplicaciones Rectas o con Forma

# Instalación de construcción de Anclajes de Pared

## Método #2 – Aplicaciones Rectas o con Forma

### 1. Preparación de la abertura o bordillo

- A. Verifique que la abertura tenga el tamaño correcto. Utilice la siguiente tabla para encontrar las dimensiones correctas para una pared recta con dos quicios.

**PROVantage®**  
Glass Block Installation System

## Instalación Método #2 Construcción de Anclajes de Pared 4" ProVantage®

### Ancho de apertura aproximada (pulgadas)

Para la altura aproximada de las aberturas, agregue 1/4" a la medida del ancho.

Numero de bloques	4" Ancho	6" Ancho	8" Ancho	12" Ancho
1	3 - 3/4	5 - 3/4	7 - 3/4	11 - 3/4
2	7 - 5/8	11 - 5/8	15 - 5/8	23 - 5/8
3	11 - 1/2	17 - 4/8	23 - 1/2	35 - 1/2
4	15 - 1/2	23 - 4/8	31 - 1/2	47 - 1/2
5	19 - 3/8	29 - 3/8	39 - 3/8	59 - 3/8
6	23 - 1/4	35 - 2/8	47 - 1/4	71 - 1/4
7	27 - 1/8	41 - 1/8	55 - 1/8	83 - 1/8
8	31	47	63	95
9	35	53	71	107
10	38 - 7/8	58 - 7/8	78 - 7/8	118 - 7/8
11	42 - 3/4	64 - 3/4	86 - 3/4	130 - 3/4
12	46 - 5/8	70 - 5/8	94 - 5/8	142 - 5/8

Nota: los bloques están disponibles en: 4" x 8", 6" x 8", 8" x 8" and 12" x 12" Tamaños.

Para paneles de más de 12 bloques de Ancho o Alto:

Agregue 3 - 7/8" por cada bloque de 4" Ancho

Agregue 5 - 7/8" por cada bloque de 6" Ancho

Agregue 7 - 7/8" por cada bloque de 8" Ancho

Agregue 11 - 7/8" por cada bloque de 12" Ancho

# KWiK'N-EZ<sup>®</sup>

## Metodo de Instalacion #2 Construcción de Muros de Anclaje 3" y Perfil Básico 80mm métrico

### Ancho de Apertura Aproximada (pulgadas)\*

Numero de bloques	90mm Ancho (3-1/2")	190mm Ancho (7-1/2")
1	3 - 1/2	7 - 1/2
2	7 - 1/8	15 - 1/8
3	10 - 3/4	22 - 3/4
4	14 - 1/2	30 - 1/2
5	18 - 1/8	38 - 1/8
6	21 - 3/4	45 - 3/4
7	25 - 3/8	53 - 3/8
8	29	61
9	32 - 3/4	68 - 3/4
10	36 - 3/8	76 - 3/8
11	40	84
12	43 - 5/8	91 - 5/8

Nota: los bloques están disponibles en:  
90mm y 190mm Tamaños  
(3-1/2" and 7-1/2")

Para paneles de más de 12 bloques de Ancho o Alto:  
Agregue 3 - 5/8" por cada bloque de 90mm Ancho  
Agregue 7 - 5/8" por cada bloque de 190mm Ancho

# MYMINIGLASS<sup>™</sup>

## Metodo de Instalacion #2 Construcción de Muros de Anclaje 6"

### Rough Opening Width (Inches)\*

Numero de bloques	6" Ancho
1	5 - 3/4
2	11 - 5/8
3	17 - 1/2
4	23 - 1/2
5	29 - 3/8
6	35 - 1/4
7	41 - 1/8
8	47
9	53
10	58 - 7/8
11	64 - 3/4
12	70 - 5/8

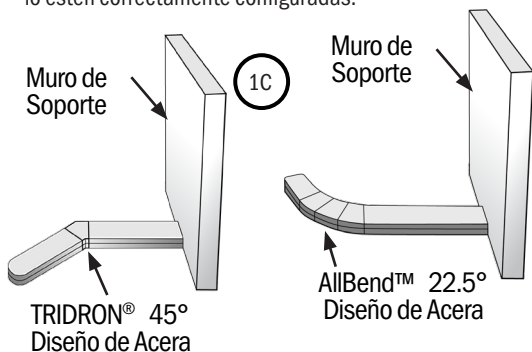
Nota: los bloques están disponibles en:  
6" Tamaño.

Para paneles de más de 12 bloques de Ancho o Alto:  
Agregue 5-7/8 por cada bloque de 6" Ancho

\*Para la Altura total de la Abertura Aproximada, Agregue 1/4 " a la medida del ancho.

B. Para las paredes con ángulo se recomienda que disponga primero su pared antes de construir un bordillo.

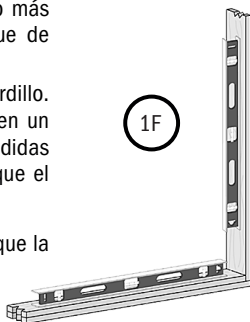
C. Compruebe que las secciones anguladas de su abertura o bordillo estén correctamente configuradas.



D. El bordillo debe ser tan ancho o más ancho que el espesor del bloque de vidrio.

E. Aplique material de acabado al bordillo. Si instala los bloques de vidrio en un ambiente húmedo, tome las medidas necesarias para asegurarse de que el bordillo sea impermeable.

F. Use un nivel para asegurarse de que la abertura esté nivelada y a plomo.



G. Verifique todas las medidas. Recuerde, para la altura total de la abertura sin terminar, agregue 1/4 " a la medida del ancho.

H. Si hay algún problema con la abertura o el bordillo, ajústelo antes de continuar.

I. Formas y piezas de acabado disponibles, con las Series / Colecciones correspondientes:

Formas de Bloque	Serie / Colección
AllBend™	22.5° 4" y 80mm
90° Radius Corner	4" y 80mm
90° Sharp Corner	4", 80mm y MYMINIGLASS™
Endblock™	4", 80mm y MYMINIGLASS™
Double End™	4", 80mm y MYMINIGLASS™
TRIDRON® 45°	4" Solo

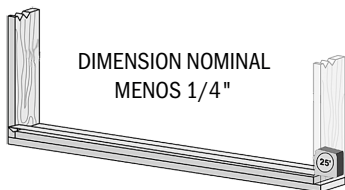


## 2. TEST FIT THE FIRST ROW

A. Cortar espaciadores horizontales para secciones rectas de la pared.

1. Para paredes rectas entre dos jambas o una jamba y un bloque perfilado, corte el espaciador horizontal  $1/4"$  más corto que la dimensión nominal.

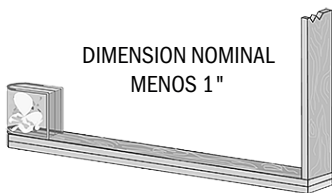
2A  
1



Nota: Si es necesario tener una junta en el espaciador horizontal, para extenderla para que se ajuste al ancho de la sección, asegúrese de que la junta se alinee con un espaciador vertical. Escalone estas juntas en cada fila siguiente.

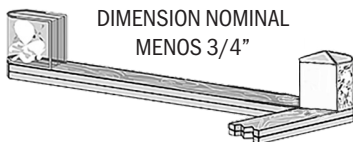
2. Para secciones rectas entre una jamba y un EndBlock™, corte el espaciador horizontal  $1"$  más corto que la dimensión nominal.

2A  
2



3. Para secciones rectas entre un bloque con forma\* y un EndBlock™, corte el espaciador horizontal  $3/4"$  más corto que la dimensión nominal.

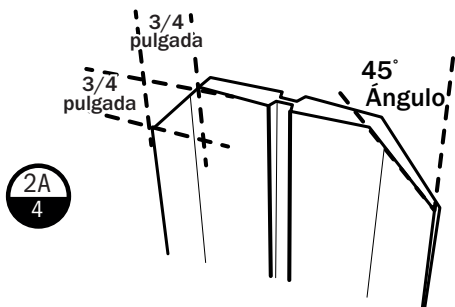
2A  
3



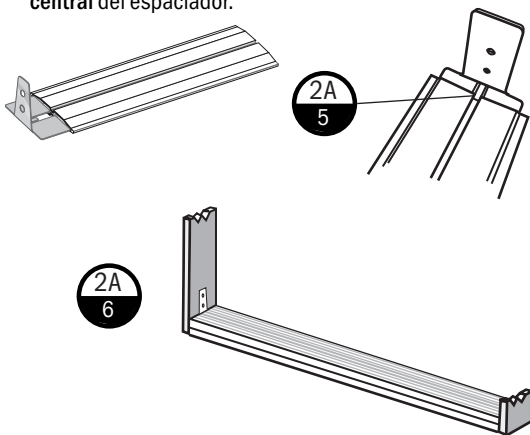
\*Consulte el glosario al final del folleto.

(PRUEBA DE AJUSTE DE LA PRIMERA FILA - CONTINUACIÓN)

4. Para EndBlock™, recorte el extremo del espaciador horizontal para que se ajuste a la forma cortando las dos esquinas en un ángulo de 45° a 3/4" de cada esquina.



5. Inserte los anclajes en los extremos del espaciador horizontal donde se encuentra con una jamba. Asegúrese de que el dedo central de los anclajes encaje en la parte superior de la ranura central del espaciador.

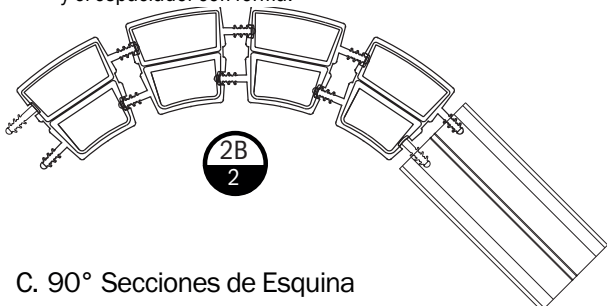


6. Coloque el espaciador en la parte inferior de la abertura, centrado en la sección, NO lo instale con tornillos.

## B. AllBend™ Secciones de pared Curvas

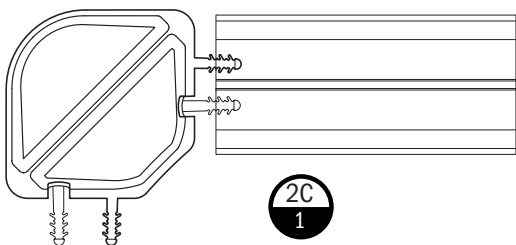
1. Busque la costura en el borde de un espaciador horizontal AllBend™ (22.5 °). Separe el espaciador en dos piezas. (4" y 80mm solo)

2. Coloque el medio espaciador, con el lado plano hacia abajo, en la parte inferior de la abertura, centrado debajo de la ubicación del bloque AllBend™. Debe haber un espacio de 1/2" ahusado a 1/4" entre las secciones rectas del espaciador y el espaciador con forma.

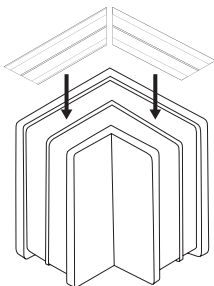
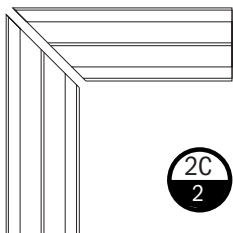


### C. 90° Secciones de Esquina

1. Busque la costura en el borde de una esquina con radio de 90°. Separe el espaciador en dos piezas. (4" y 80mm)
  - a. Coloque el espaciador en la parte inferior de la abertura, centrado debajo de la ubicación del Bloque de Esquina. Debe haber un espacio de 1/2" entre las secciones rectas del espaciador y el espaciador con forma.



2. Esquina afilada de 90° (4", 80mm y myMINIGLASS™ solo)
  - a. Cortar espaciadores estándar a 45°
  - b. Alinee los espaciadores debajo del bloque para crear una esquina de 90°.

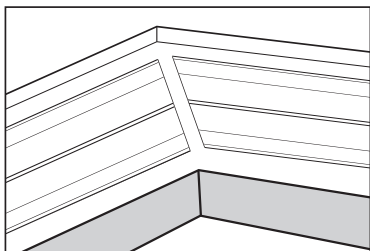


(PRUEBA DE AJUSTE DE LA PRIMERA FILA - CONTINUACIÓN)

D. 45° en ángulo Tridron® secciones (4" solo)

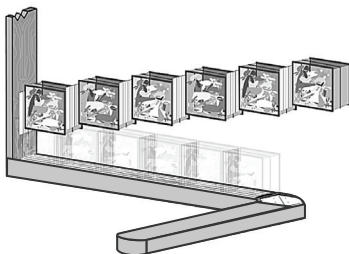
1. Cortar espaciadores estándar en 22.5°
2. Alinee los espaciadores debajo del bloque para crear una esquina de 45°.

2D



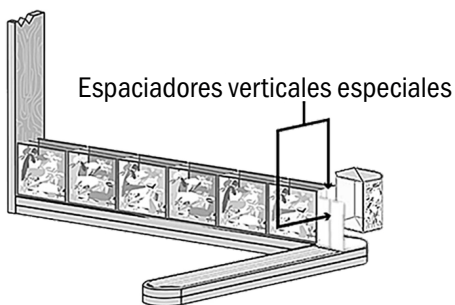
- E. Instale la primera fila de bloques y espaciadores verticales, comenzando con el primer bloque en la jamba.

2E



- F. Hay espaciadores verticales especiales para bloques con forma. Asegúrese de insertar estos espaciadores antes, entre y después de los bloques con forma.

2F



G. Los espaciadores verticales para los Bloques AllBend™ son cónicos, los espaciadores para los bloques de 90° son planos. El extremo más pequeño se coloca en la parte posterior del Bloque AllBend™. Los espaciadores verticales apropiados están empaquetados con los espaciadores horizontales con forma. Tridron® y afilados 90o las esquinas y EndBlock™ son espaciadores verticales estándar.

### Espaciadores de Vértice para Formas y EndBlock™

Se requiere un espaciador entre dos AllBend™



Se requiere un espaciador entre AllBend™ y el Bloque Estándar



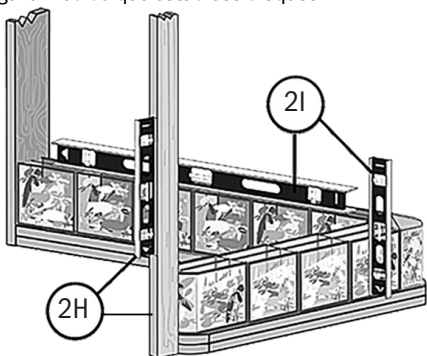
Se requiere un espaciador plano entre una esquina de radio de 90° y bloque estándar, o verticalmente en jambas.



Espaciador estándar o Esquina Afilada de 90°, TRIDRON®, y todo EndBlock™

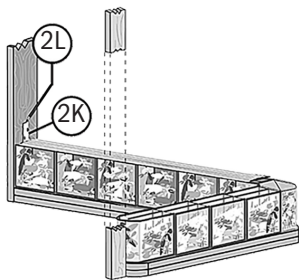


H. Si su proyecto no tiene una jamba en ambos extremos, es posible que deba apoyar temporalmente un montante de 2" x 4" en el extremo abierto de la pared. Asegúrese de que el montante esté a plomo. Este montante le servirá como punto de plomo para que lo siga a medida que establece bloques.

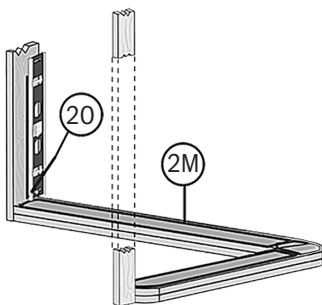


(PRUEBA DE AJUSTE DE LA PRIMERA FILA - CONTINUACIÓN)

- I. Verifique que la primera fila esté nivelada a lo largo y a lo ancho. Asegúrese de que los bloques estén rectos y aplomados.
- J. Si es necesario, inserte calzas de plástico debajo del canal para nivelar la fila. Use un destornillador de punta plana para levantar el canal mientras inserta calzas.
- K. Coloque un espaciador horizontal con anclaje insertado en los extremos, encima de la primera fila.

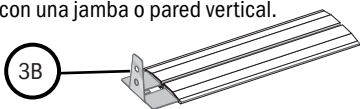


- L. Marque la ubicación del centro del ancla en la jamba. Si su pared tiene dos jambas, marque los centros de los anclajes en ambas jambas. Estas marcas se utilizarán para dibujar una plomada en las jambas.
- M. Se retiraron el espaciador horizontal superior, el bloque y los espaciadores verticales, teniendo cuidado de no alterar el espaciador horizontal inferior o las calzas.
- N. Trace el contorno de los espaciadores horizontales y marque las ubicaciones de las calzas.
- O. Comenzando con la marca central del primer anclaje, use un nivel para dibujar una plomada en las jambas a la altura del panel, esta será la línea central para todos los anclajes.

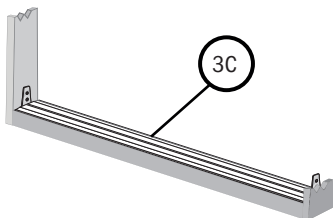


### 3. INSTALACIÓN DE LA PRIMERA FILA

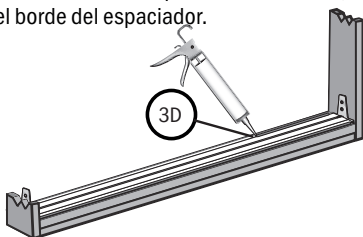
- A. Corte los espaciadores horizontales de cada hilera para que se ajusten a la abertura.
- B. Inserte un Ancla en los extremos del espaciador horizontal donde se encontrará con una jamba o pared vertical.



- C. Aplique dos cordones de sellador de 1/4" a los bordes de los espaciadores horizontales a 1/4" hacia adentro del borde del espaciador. Coloque el sellador del espaciador hacia abajo.

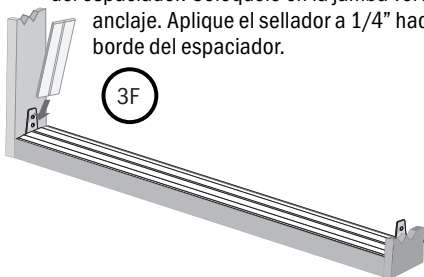


- D. Luego, aplique dos cordones de sellador de 1/4" en la parte superior de este mismo espaciador horizontal, a 1/4" hacia adentro del borde del espaciador.



- E. Fije el ancla a la jamba con tornillos galvanizados o de acero inoxidable.

- F. Aplique dos cordones de sellador de 1/4" a un espaciador Half-Trac™ (B a C espaciador), a 1/4" hacia adentro del borde del espaciador. Colóquelo en la jamba vertical, cubriendo el anclaje. Aplique el sellador a 1/4" hacia adentro del borde del espaciador.

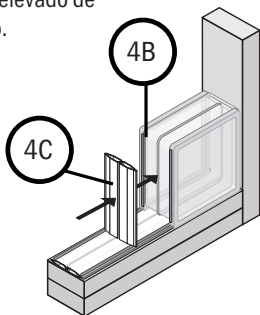


## 4. Instale El Bloque de Vidrio

- A. Coloque un bloque de vidrio en la abertura contra el quicio.
- B. Aplique dos cordones de 1/4 pulgada de sellador detrás del reborde elevado de la cara de los bloques de vidrio.

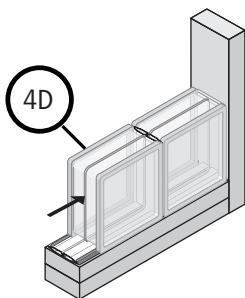
C. Presione un espaciador vertical en su lugar a un lado del bloque.

- D. Aplique dos cordones de 1/4 pulgada de sellador detrás del reborde elevado de la cara del siguiente bloque de vidrio que se va a insertar.



- E. Inserte el lado con el sellador del siguiente bloque de manera que quede ajustado con el espaciador vertical y aplique dos gotas de 1/4 pulgada de sellador atrás del borde elevado del bloque.

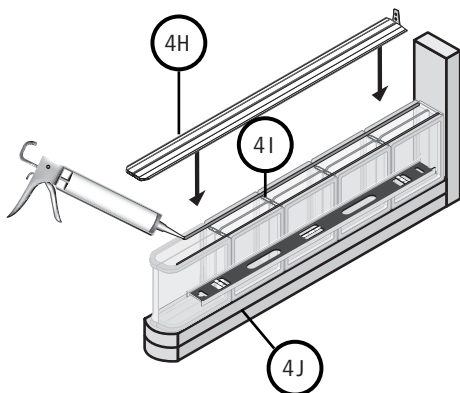
- F. Continúe insertando espaciadores y bloques de esta manera hasta completar la hilera.



- G. Verifique la alineación de la primera hilera de espaciadores y bloques. Compruebe que todos los bloques estén nivelados y que las juntas estén herméticas.



- H. Aplique dos cordones de 1/4 pulgada de sellador a la parte superior de la hilera de bloques detrás de los rebordes elevados.
- I. Coloque un espaciador horizontal con los anclajes instalados sobre la parte superior de la primera fila de bloques. Si se requiere más de una sección de espaciador horizontal, asegúrese de que queden planas de extremo a extremo con la junta directamente arriba de un espaciador vertical. Alterne estas juntas en cada hilera siguiente.



- J. Limpie el exceso de sellador. Si es necesario, ajuste el tamaño de los cordones de sellador para evitar la salida del sellador en las siguientes hileras. Las áreas de las juntas deben estar libres de sellador.
- K. Instale de esta forma las hileras restantes de bloques de vidrio, espaciadores, anclajes y tiras de expansión. Verifique que cada hilera esté alineada.

Nota: Las paredes sujetadas a solo dos o tres lados pueden estar "flexibles" hasta que se les coloque lechada.

# Acabado de Lechada

## IMPORTANTE:

Lijada lechada a base de cemento modificado con polímeros acrílicos o uretano a base lechada con arena adecuada para su uso en cerámica , porcelana , vidrio o azulejos deben ser utilizados.

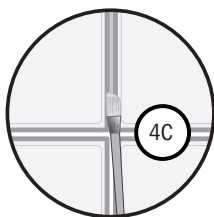


## PRECAUCIÓN:

Evite el contacto con la piel. Se recomienda el uso de anteojos de seguridad y guantes impermeables para disminuir al mínimo el contacto con la piel y los ojos.

## **No Termine las Juntas hasta que el sellador haya Curado Durante 24 a 48 horas.**

- A. Limpie cualquier sellador que se haya salido de las juntas con un cuchillo de uso general.
- B. Siga las instrucciones de la lechada para bloques para la aplicación de la lechada.
- C. Para las aplicaciones en entornos húmedos, espere 72 horas y aplique el sellador a las líneas que tienen lechada con una brocha para pintura. Limpie inmediatamente el sellador de las superficies de vidrio para evitar que se adhiera.



- D. Aplique una segunda capa de sellador una vez que se seque la primera capa.
- E. Después de que la lechada se haya curado durante 72 horas, calafatee todas las juntas perimétricas con un cordón de sellador.

# Acabado Sellador de Juntas Frontales Exteriores



## IMPORTANTE:

Utilice Sellador de Silicona Seves Glass Block.  
No recomendado para aplicaciones de ducha.

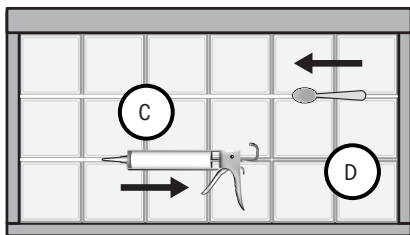
## PRECAUCIÓN:

Evite el contacto con la piel. Se recomiendan gafas de seguridad y guantes impermeables para minimizar el contacto con la piel y los ojos. También proporcione suficiente ventilación mecánica.

## No Termine las Juntas hasta que el sellador haya Curado Durante 24 a 48 horas.

*Nota: Si está instalando bloques en un ambiente húmedo o si su pared no está enmarcada en los cuatro lados, se recomienda el acabado con lechada.*

- Retire cualquier sellador exprimido de las juntas con un cuchillo.
- Abra el sellador como se indica en el tubo. La tasa de cobertura es de un tubo por cada 16 bloques. No selle más juntas de las que pueda utilizar en 15 minutos.
- Primero selle las juntas horizontales colocando la boquilla del tubo en la junta en el perímetro en un ángulo de 45°. Jale el tubo a lo largo de la junta mientras coloca una gota de sellador. Llene ligeramente las juntas.



- D. Empuje la herramienta de acabado en forma de cuchara sobre las juntas a un ángulo de 45° para captar el exceso de sellador y sellar la junta. Quite periódicamente el sellador de la herramienta de acabado.
- E. Selle con el mismo método las juntas verticales Trabaje con cuidado las intersecciones de las juntas para crear un acabado uniforme.
- F. Deje fraguar el sellador durante 48 horas antes de imponer cualquier esfuerzo sobre el panel.
- G. Selle con sellador las juntas perimétricas.

## Mantenimiento

¡Una parte importante de la belleza funcional de los productos de bloques de vidrio Seves Glass Block es que prácticamente no requieren mantenimiento! No hay nada que se pudra, oxide, pele ni que requiera pintura. Todo lo que necesita es una limpieza ocasional de los paneles interiores con un paño húmedo, suave o un lavado con manguera de los paneles exteriores. ¡Con una atención mínima, su panel de bloques de vidrio Seves Glass Block permanecerá brillante y hermoso por muchos años!

## Si desea que le asistan

Esperamos que estas instrucciones sean claras y que respondan sus preguntas acerca de la instalación de los bloques de vidrio de la serie 4" y las unidades de acabado Seves Glass Block con el sistema de instalación de bloques de vidrio ProVantage®. Si desea más información sobre los bloques de vidrio Seves Glass Block, visite nuestro sitio web [www.sevesglassblockinc.com](http://www.sevesglassblockinc.com).

La información contenida en este documento es exacta a nuestro mejor entender. Sin embargo, teniendo en cuenta que Seves Glass Block no controla la instalación, la mano de obra, los materiales accesorios o las condiciones de colocación del producto, NO SE OTORGA NINGUNA AFIRMACIÓN NI GARANTÍA, EXPRESA NI IMPLÍCITA, INCLUIDA LA GARANTÍA DE COMERCIALIZACIÓN E IDONEIDAD PARA UN FIN CONCRETO, por el rendimiento o los resultados de una instalación que contiene estos productos, que se extiende más allá de la descripción contenida en este documento y SE RECHAZA EXPRESAMENTE CUALQUIERA Y TODAS LAS RESPONSABILIDADES DEBIDAS A NEGLIGENCIA, RESPONSABILIDAD ESTRICTA O CUALQUIER OTRA TEORÍA DE RESPONSABILIDAD CIVIL EXTRA CONTRACTUAL.

Si los productos de alguna otra manera no actúan de conformidad con las afirmaciones incluidas en este documento, sin culpabilidad del comprador, el remedio exclusivo del comprador a opción de Seves Glass Block, es la reparación o sustitución de los productos que no cumplan con lo especificado o la devolución del precio de compra pagado por el comprador. Si se elige la sustitución del producto, Seves Glass Block no será responsable de los costos de instalación ni de mano de obra. En ninguna circunstancia, Seves Glass Block será responsable de los daños incidentales, especiales, consiguientes o punitivos que puedan resultar debido a la falla de producto, sin perjuicio de la teoría de la responsabilidad en virtud de la cual dichos daños se pueden reclamar.

Seves Glass Block proporciona garantías escritas para muchos de sus productos y tales garantías tienen prioridad sobre las declaraciones aquí contenidas. Puede obtener una copia de la garantía de este producto si la solicita a Seves Glass Block.

## Glosario

**ProVantage®:** Un sistema de instalación de bloques de vidrio para Bloques de Vidrio Seves de 4 pulgadas de espesor que utiliza una construcción de canal perimetral o anclajes de pared en combinación con espaciadores de vinilo, herrajes de anclaje de acero y silicona.

**KWiK'N-EZ®:** Un sistema de instalación de bloques de vidrio para Bloques de Vidrio Seves de 3 pulgadas y 80mm de espesor que utiliza construcción de canal perimetral o anclajes de pared en combinación con espaciadores de vinilo, herrajes de anclaje de acero y silicona.

**MyMINIGLASS™:** Un sistema de instalación de bloques de vidrio para Bloques de Vidrio Seves de 5 3/4" x 5 3/4" x 3" de espesor que utiliza construcción de canal perimetral o anclajes de pared en combinación con espaciadores de vinilo, herrajes de anclaje de acero y silicona.

**Enmarcado:** Estructura hecha para admitir, encerrar o sostener algo. El encuadre, en la construcción, es la unión de piezas para dar soporte y forma a la estructura. Los materiales de la estructura suelen ser madera, madera sintética o acero estructural.

**Adjunto:** unido, sujetado o conectado a algo. (Un cuadro.)

**Ancla:** algo que sirve para sujetar un objeto con firmeza (en posición / lugar).

## Bloque en Forma:



Tridron™



Radius Corner



Sharp 90° Corner



AllBend™ 22.5°



Double End™



EndBlock™



Seves Glass Block Inc.  
**Springfield, IL 62704**  
[www.sevesglassblockinc.com](http://www.sevesglassblockinc.com)

Todas las marcas comerciales y marcas comerciales registradas en  
este folleto son propiedad y están protegidos por  
Seves Glass Block Inc.

All trademarks and registered trademarks in this  
brochure are owned and protected by  
Seves Glass Block Inc.